

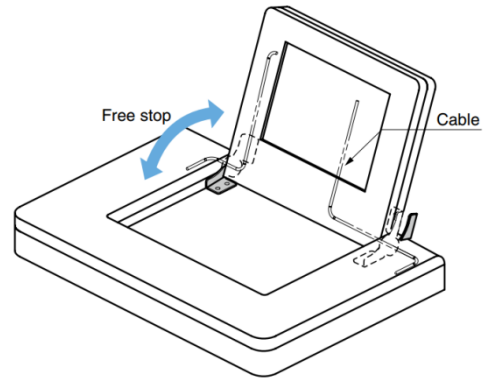
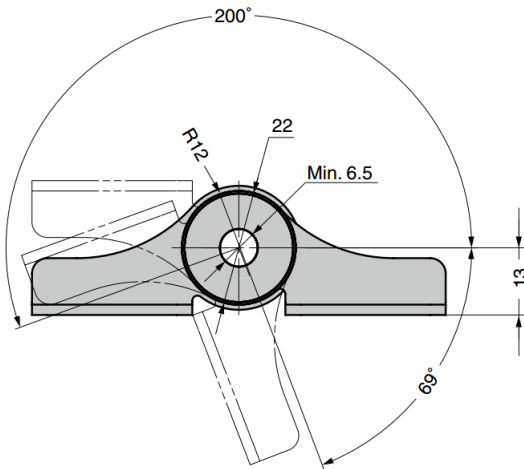
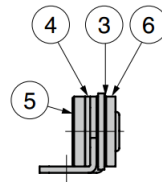
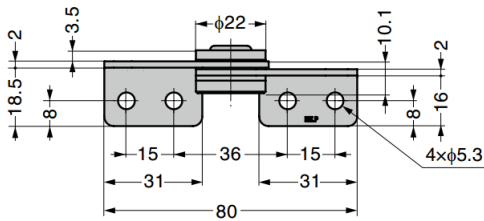
GHG-TA45H Stainless Steel Torque Hinge (Thru Hole)

Features

- Hinge with friction torque holds lid / door in desired position
- Hole in the shaft allows easy cable management
- Excellent durability, passed 50,000 life cycle test

Notes

- Operating temperature: 0°C ~ 40°C
- For pair usage: to use the same torque for both hinges
- Ensure hinge shafts are levelled and aligned during installation



Left-handed type shown. Right-handed type is symmetrical.

No.	Part Name	Material	Finish
①	Bracket	Stainless Steel (SUS430)	Barrel Polished
②	Base		
③	F Plate	Bronze	-
④	Spring Washer	Steel	
⑤	Shaft	Stainless Steel (SUS303)	
⑥	Washer	Stainless Steel (SUS430)	

Part No.	Type	Torque (per piece)	
GHG-TA45HR	Right Handed	4.5 ±20% N.m	45.9 ±20% kgf.cm
GHG-TA45HL	Left Handed		